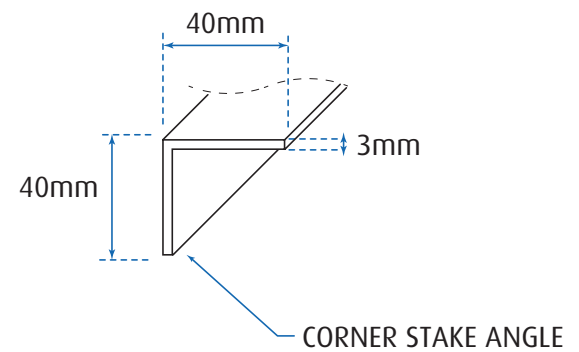


The Thermoclick Corner Stake Angle is connected with rivets or small screws.



Channel Corner Detail Thermoclick Profile

March 2015

DRAWN - MM

© Ampelite 2015