



Product Data Sheet

Lexan® Thermoclear® SunXP Sheet Range

Introduction

Lexan® Thermoclear® SunXP sheet grades are members of the Lexan Thermoclear sheet range of high quality, multi-wall polycarbonate glazing sheets extruded from Lexan® resin.

Lexan Thermoclear SunXP sheet offers:

- Long-term weather resistance **backed by a 15 years warranty**
- Several rectangular and X-structure structures
- Both sides U.V. protected
- High impact strength
- Excellent light transmission
- Light weight, easy installation
- Outstanding thermal insulation properties

UV Resistance

The complete Lexan Thermoclear SunXP sheet range features a proprietary both sides surface treatment designed to protect the sheet against the degrading effects of ultra-violet radiation in natural sunlight. Both sides U.V. protected surfaces offers advantage in economically cutting the sheet in desired shapes, and installation mistakes are minimised since both sheet surfaces may be faced outwards.

Warranty

GE Plastics offers a Fifteen (15) Year Limited Warranty on Lexan Thermoclear SunXP sheet covering discoloration, loss of light transmission and loss of strength due to weathering. See warranty for exact details.

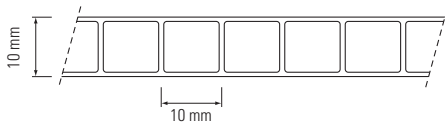
Product availability

Standard specifications are as follows:

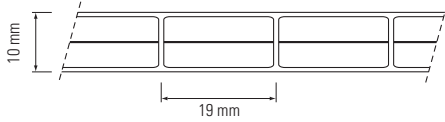
Lexan Thermoclear SunXP sheet	Standard sheet width (in mm)			
	980	1200	1250	2100
Product Code				
LT2XP10/2RS1.7			•	•
LT2XP10/3RS1.9				•
LT2XP10/3TS2.0			•	•
LT2XP10/3X2.0	•	•		•
LT2XP16/3TS2.8-2.7			•	•
LT2XP16/3X2.9	•	•		•
LT2XP20/5RS3.3	•		•	•
LT2XP20/5X3.2			•	•
LT2XP25/6RS3.5	•		•	•
LT2XP25/5X3.4			•	•
LT2XP32/5X3.8			•	•

Standard Lengths: 6000/7000 mm

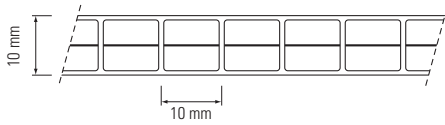




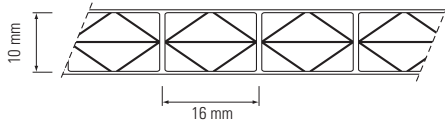
LT2XP10/2RS1.7



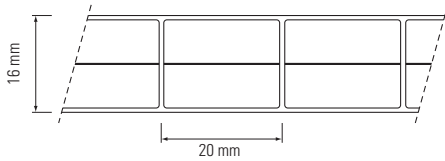
LT2XP10/3RS1.9



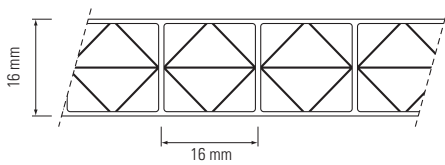
LT2XP10/3TS2.0



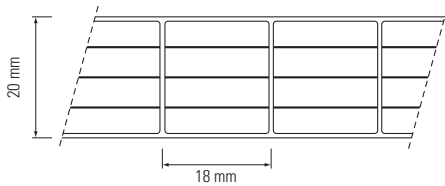
LT2XP10/3X2.0



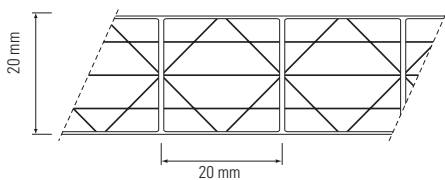
LT2XP16/3TS2.8 and 2.7



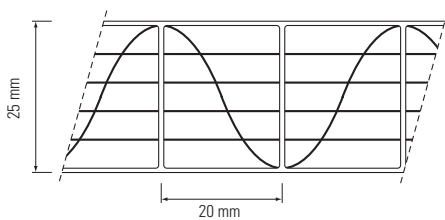
LT2XP16/3X2.9



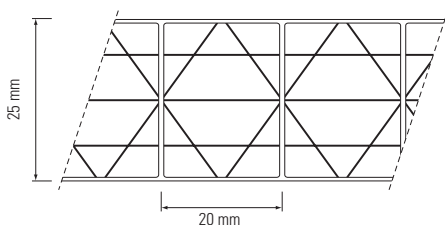
LT2XP20/5RS3.3



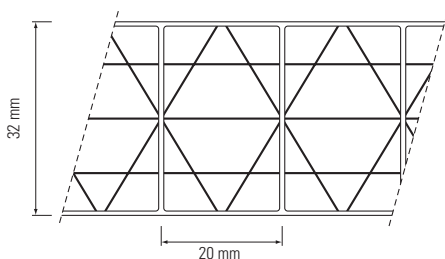
LT2XP20/5X3.2



LT2XP25/6RS3.5



LT2XP25/5X3.4



LT2XP32/5X3.8

Non-Standard Specifications

All GE Structured products multi-wall sheet products can be supplied by prior arrangement in non-standard widths, lengths and colours. Such arrangements may affect prices, warranty terms and/or other conditions of sale.

Typical properties

		LT2XP10	LT2XP10	LT2XP10	LT2XP10	LT2XP16	LT2XP16	LT2XP20	LT2XP20	LT2XP25	LT2XP25	LT2XP32
Optical Properties	Unit	/2RS1.7	/3RS1.9	/3TS2.0	/3X2.0	/3TS2.8-2.7	/3X2.9	/5RS3.3	/5X3.2	/6RS3.5	/5X3.4	/5X3.8
Light Transmission												
Clear (112)	%	81	74	73	60	76	55	64	44	44	41	38
Bronze (515055)	%	35	36	35	n.a.	35	n.a.	n.a.	n.a.	23	n.a.	n.a.
Opal White (WH7A092X)	%	48	49	35	40	48	37	38	n.a.	24	n.a.	20
Solar Transmission												
Clear (112)	%	85	82	82	72	82	69	75	50	66	48	58
Bronze (515055)	%	55	56	55	n.a.	55	n.a.	n.a.	n.a.	49	n.a.	n.a.
Opal White (WH7A092X)	%	71	72	71	63	71	52	65	n.a.	50	n.a.	35
Shading Coefficient												
Clear (112)	%	0.98	0.94	0.94	0.82	0.94	0.79	0.86	0.57	0.76	0.55	0.66
Bronze (515055)	%	0.63	0.64	0.63	0.63	0.63	n.a.	n.a.	n.a.	0.56	n.a.	n.a.
Opal White (WH7A092X)	%	0.82	0.82	0.82	0.72	0.82	0.59	0.74	n.a.	0.57	n.a.	0.40
Physical properties												
Sound reduction values	dB	19	19	19	19	21	21	22	22	23	23	23
Thermal properties												
U- (or K-) value	W/m ² ·K	3.0	2.7	2.7	2.5	2.4	2.0	1.8	1.8	1.5	1.6	1.4

Light transmission

Transparent Lexan Thermoclear SunXP sheet have excellent light transmission, between 81 and 38%. However for buildings in hot climates or with south facing aspects, Lexan Thermoclear SunXP is available in translucent bronze and opal white. Lexan Thermoclear SunXP is essential opaque to all wavelengths below 385 nanometers. This usefull shielding property can prevent discoloration of sensitive materials placed under or behind.

Solar control

Bronze and opal white coloured Lexan Thermoclear SunXP sheet significantly reduces solar heat gain, cuts down the brightness of sunlight to a pleasant level, helping to maintain comfortable interior building temperatures.

Solar heat gain

The solar radiation reaching the sheet is reflected, absorbed and transmitted. The greatest proportion is transmitted and the total solar transmission (ST) is the sum of the direct transmission (DT) and the inwardly released part of the absorbed energy (A). Table outlines the overall Solar Control properties of Lexan Thermoclear SunXP sheet.

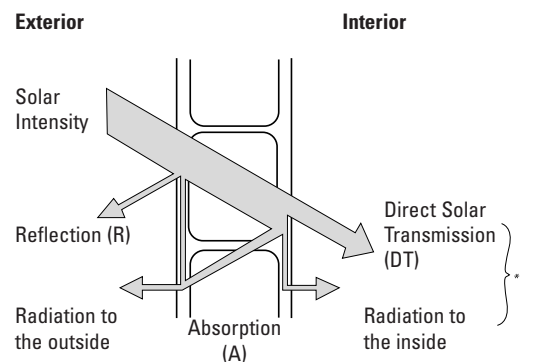
Thermal insulation

The multi-wall structure of Lexan Thermoclear SunXP sheet offers significant advantages where thermal insulation is a major consideration. The hollow form provides excellent insulation characteristics with heat losses significantly lower than mono-wall glazing materials.

Fire Test Performance

Lexan Thermoclear SunXP sheet has good fire behaviour characteristics, and receives high ratings in several major European fire performance tests. More detailed information is available from your local GE Structured Products Service Centre or authorised dealer.

Solar transmission



*Total solar transmission (ST)

Sound insulation

The sound insulation characteristics of a material are largely pre-determined by its stiffness, mass and physical construction. According to DIN 52210-75, the maximum obtainable sound transmission class for Lexan Thermoclear SunXP sheet is 23 dB.

Impact Strength

Lexan Thermoclear SunXP sheet has outstanding impact performance over a wide temperature range, -40°C to +120°C, and also after prolonged outdoor exposure.

Hail simulation

As a roofglazing material Lexan Thermoclear SunXP sheet is subjected to the extremes of weather; storms, hail stones, wind, snowfalls and ice formation. Under these conditions, the product is virtually unbreakable and is able to accommodate the subsequent temperature change to sunny conditions without breaking or buckling.

It should be noted that when glass and Acrylic are tested their failure characteristics are typical brittle, whilst Lexan Thermoclear SunXP shows a ductile deformation zone, e.g. small indentations.

GE Structured Products offers a Fifteen Year Warranty on Lexan Thermoclear SunXP sheet covering loss of strength or impact due to weathering.

General Guidelines

Storage

Lexan Thermoclear SunXP sheet should be stored and protected against atmospheric influences like sun, rain etc. Care should be exercised when handling and transporting Lexan Thermoclear SunXP sheet in order to prevent scratches on the panel surface and damage to the panel edges.

Cleaning

Large surfaces can be cleaned with a high pressure water and/or steam cleaner. Small surfaces can be cleaned with luke warm water, using a soft sponge and a solution of mild soap.

Chemical Resistance

Compatible Neoprene, EPT or EPDM rubbers with an approximate Shore Hardness of the A65 are recommended.

When using glazing compounds it is essential that the sealant system accepts a certain amount of movement to allow for thermal expansion, without loss of adhesion to the frame or sheet. Silicone sealants are generally recommended for use with Lexan Thermoclear SunXP sheet. It is strongly advised when using sealing compounds to check compatibility before use.

Sawing

Lexan Thermoclear SunXP sheet can be cut easily and accurately with standard workshop equipment. This includes common circular, hand and hacksaws.

Saw dust should be blown out of the channels using clean compressed air. Circular saw blades should be fine-toothed panel blades. When hand or power hacksaws are used, the sheet should be clamped to the worktable to avoid undesirable vibration.

Pre-installation Guidelines

Sealing recommendation

One of the most important aspects of installations is edge sealing, particularly the open-ended channels, since moisture build-up and dust contamination inside the channels can be a major problem. In close co-operation with the company Multifoil* an anti-dust impermeable tape and a anti-dust venting tape have been developed.

Both tapes are available from your local distributors' sales offices.

* Multifoil: Verl. Hoogravenseweg 63h, 3525 BB Utrecht, The Netherlands
Tel. +31 30 2896333, Fax. +31 30 2894545

General standard glazing conditions

Top end channels sealed with an impermeable tape. Bottom end channels sealed with a perforated filter tape. Additional 'U' profile covering perforated bottom tape, or distance holders between venting holes to facilitate condensation drainage.

Glazing-specific environment

Both channel ends sealed with impermeable tape.

Recommended for use in extremely dusty environments (sawmills, weldingstations, etc.).

Wet glazing systems

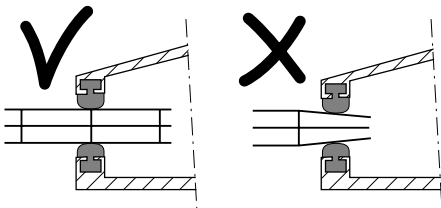
This type of installation system is mainly used in small domestic type applications, car ports, warehouses, conservatories and other glass replacement situations.

Dry glazing systems

The advantage of dry systems is that the rubber gaskets are 'snapped' into the glazing strips which then allow free movement of the sheet during expansion and contraction.

Sheet edge clamping conditions

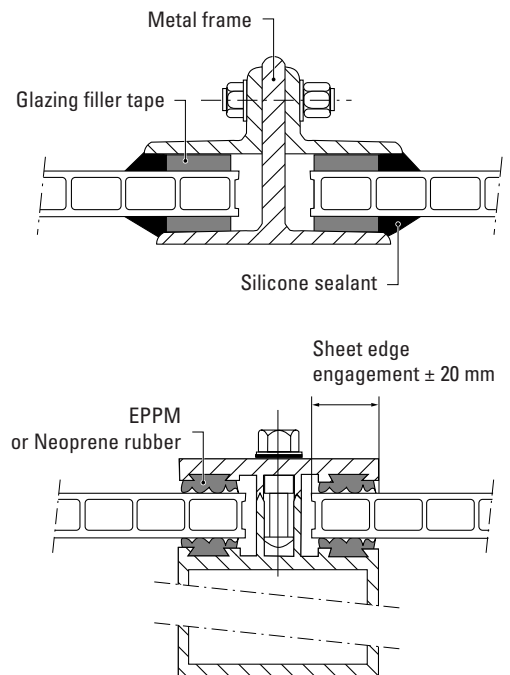
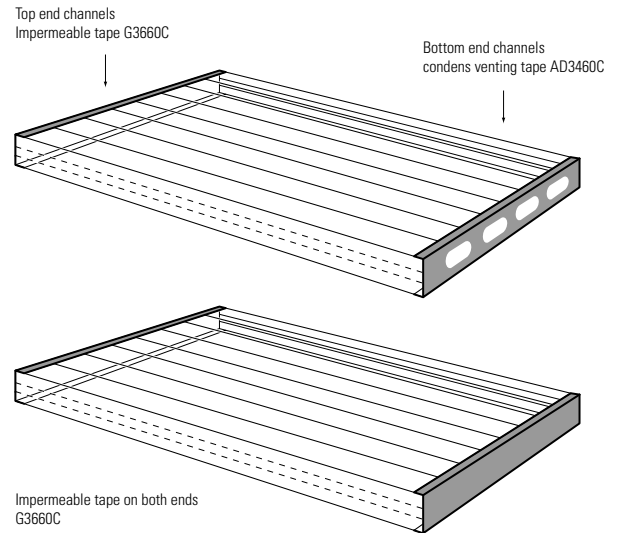
It is extremely important when installing Lexan Thermoclear SunXP sheet that the edges are correctly clamped. A cover plate, or glazing bead, with rubber gaskets or silicone sealant, hold the sheet in place and create a water-tight seal. In both cases there must be sufficient clearance to allow for thermal expansion of the sheet. It is also important that the edge of the sheet is engaged for a minimum of 20 mm into the glazing frame with at least one rib located in the clamping area.



Thermal expansion allowance

Since Lexan Thermoclear SunXP sheet has a greater linear thermal expansion coefficient than that of traditional glazing materials, care should be taken to allow for free expansion of the sheet to prevent bowing and internal thermal stress.

Thermal expansion allowance must be made for both the length and width of the Lexan Thermoclear SunXP sheet. In general, thermal expansion of the sheet is approximately 3 mm per linear metre.



Installation guidelines

Sheet thickness selection

Flat glazing systems sheet thickness

Four sides clamped

CTC distance glazing profiles. Shortest sheet side (a) in mm *

LT2XP10/2RS1.7	815	730	670	620	585	545	520
LT2XP10/3RS1.9	900	820	755	695	635	590	550
LT2XP10/3TS2.0	950	870	805	745	685	640	600
LT2XP10/3X2.0	980	910	850	810	770	740	720
LT2XP16/3TS2.8/7	1100	980	880	810	750	700	665
LT2XP16/3X2.9	1250	1220	1130	1080	1030	995	960
LT2XP20/5RS3.3	1200	1160	1070	980	920	860	810
LT2XP20/5X3.2	1250	1250	1250	1200	1150	1100	1050
LT2XP25/6RS3.5	1250	1250	1250	1250	1250	1150	1100
LT2XP25/5X3.4	1250	1250	1250	1250	1250	1200	1150
LT2XP32/5X3.8	1250	1250	1250	1250	1250	1250	1250
Loading in N/m ²	600	800	1000	1200	1400	1600	1800

* Ratio sheet width / sheet length 1>1.5

Two sides clamped, glazing bars parallel with rib structure

Sheet width (a) in mm

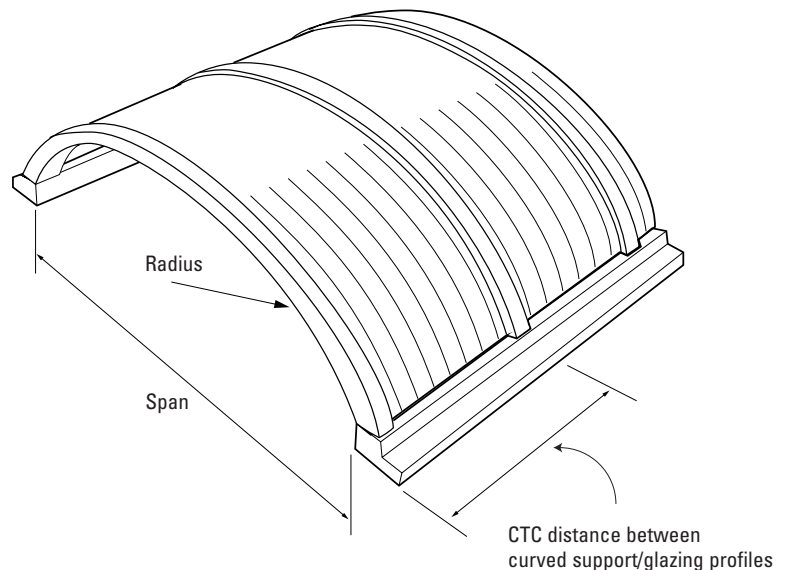
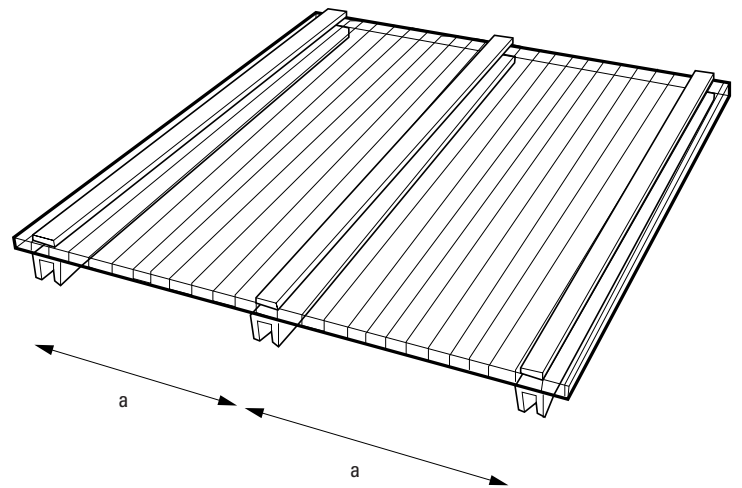
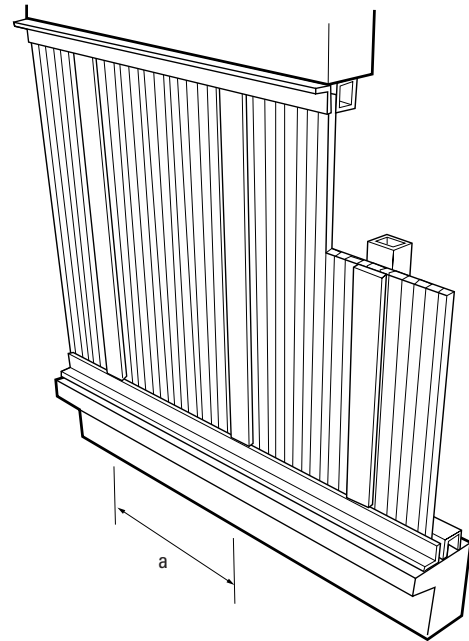
LT2XP10/2RS1.7	730	670	620	585	545	520	
LT2XP10/3RS1.9	800	730	675	625	575	540	510
LT2XP10/3TS2.0	890	810	750	700	665	610	585
LT2XP10/3X2.0	980	910	850	810	770	740	720
LT2XP16/3TS2.8/7	1100	980	880	810	750	700	665
LT2XP16/3X2.9	1450	1325	1240	1180	1130	1085	1050
LT2XP20/5RS3.3	1200	1160	1070	980	920	860	810
LT2XP20/5X3.2	1250	1250	1250	1200	1150	1100	1050
LT2XP25/6RS3.5	1250	1250	1250	1250	1250	1150	1100
LT2XP25/5X3.4	1250	1250	1250	1250	1250	1200	1150
LT2XP32/5X3.8	1250	1250	1250	1250	1250	1250	1250
Loading in N/m ²	600	800	1000	1200	1400	1600	1800

Curved glazing systems sheet thickness

The sheet length needs to be greater than the sheet width to facilitate curvature; in practice, a ratio of 1:2 or less is never contemplated because of the practicalities of installation geometry.

Minimum radius Lexan Thermoclear SunXP sheet (in metres)

LT2XP10/2RS1.7	1.75
LT2XP10/3RS1.9	1.75
LT2XP10/3TS2.0	1.75
LT2XP10/3X2.0	1.75
LT2XP16/3TS2.8/7	2.80
LT2XP16/3X2.9	3.50
LT2XP20/5X3.2	4.00
LT2XP20/5RS3.3	3.50
LT2XP25/5X3.4	5.00
LT2XP25/6RS3.5	4.35



Lexan Thermoclear SunXP sheet can be successfully cold-curved over curved support glazing profiles, to suit many glazing applications, e.g. domes, rooflights, etc. Providing the radius is not below the minimum recommended value, then the introduced stress by cold-curving will not have any adverse effect upon the mechanical performance of the sheet. Sheets must always be bent longitudinally, never across the width of the sheet.

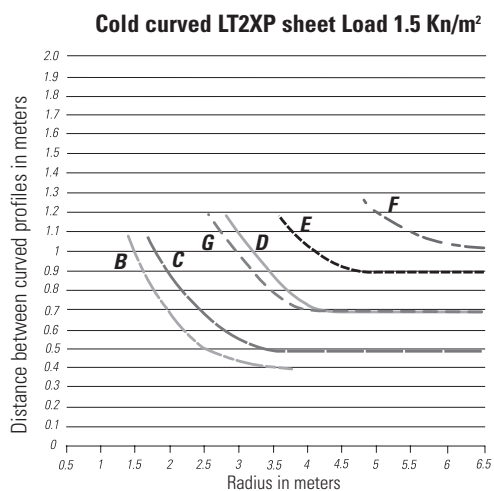
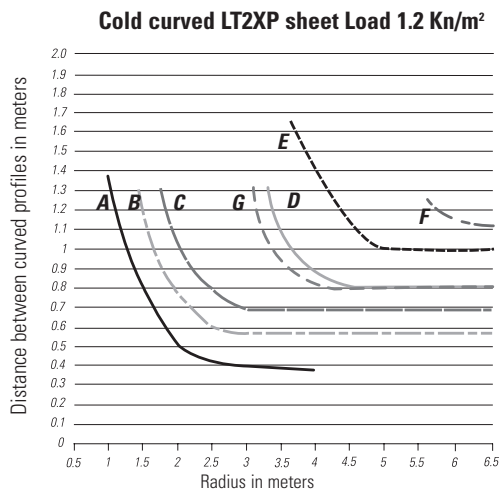
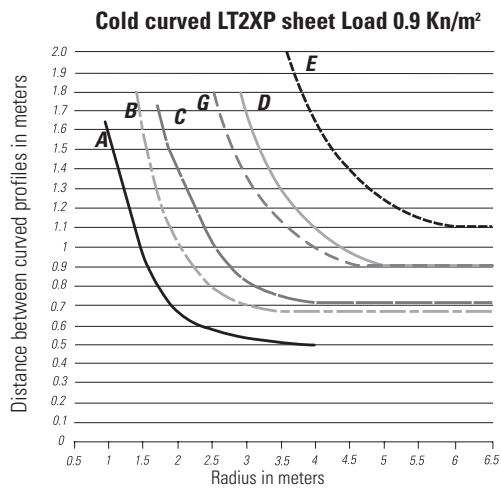
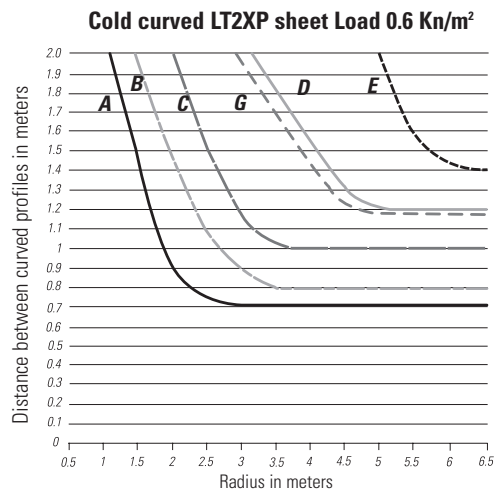
The loading characteristics given in the table below are based upon curved glazing applications clamped on all four edges. The table shows linear buckling load values, (calculated with a safety factor of 2.0) against installation radii for different sheet widths.

At a specified load the distance between the curved profiles can be found for different Lexan Thermoclear SunXP sheet thickness and radii.

Note: LT2XP32/5X3.8 only for flat glazing applications.

LT2XP25/6RS3.5 distance between curved profiles 1250 mm at all radii > 4375 mm until a load of 1500 N/m²

- LT2XP6/2RS (A)
- LT2XP8/2RS/3RS (B)
- LT2XP10/2RS (C)
- LT2XP16/3TS (D)
- LT2XP20/5RS (E)
- LT2XP16/3X (F)
- LT2XP10/3X (G)



AMERICAS

United States

GE Plastics
1 Plastics Avenue
Pittsfield, MA 01201
Tel. (1) (413) 448 5400

Brazil

GE Plastics South America
Av. Das Nacoes Unidas, 12995 - 20 Andar
Edificio Plaza Centenario
04578 - 000 Sao Paulo, Sp
Brazil
Tel. (55) 11 5505 2800
Fax (55) 11 5505 1757

Argentina

GE Plastics South America
Av. L.N. Alem 619 9 Piso
1001 Buenos Aires
Argentina
Tel. (54) 1 317 8753
Fax (54) 1 313 9560

EUROPE

European Headquarters

General Electric Plastics B.V. SPE
Plasticslaan 1
PO Box 117
NL - 4600 AC Bergen op Zoom
The Netherlands
Tel. (31) (164) 29 27 42
Fax (31) (164) 29 19 86

United Kingdom

GE Plastics Ltd
Old Hall Road
Sale
Cheshire M33 2HG
United Kingdom
Tel. (44) (161) 905 50 01
Fax (44) (161) 905 50 04

Italy

General Electric Plastics Italia S.p.A.
Viale Brianza 181
I - 20092 Cinisello Balsamo (Mi)
Italy
Tel. (39) 02 61 83 42 61
Fax (39) 02 61 83 42 09

Germany

General Electric Plastics GmbH
Eisenstraße 5
D - 65428 Rüsselsheim
Germany
Tel. (49) (61 42) 601 101
Fax (49) (61 42) 601 259

Spain

GET sl (Gestión y Especificaciones Técnicas)
Agente Oficial España y Portugal
C/Girona, 67, 3º-2a
08009 Barcelona
Spain
Tel. (34) (93) 488 03 18
Fax (34) (93) 487 32 36

France

General Electric Plastics France S.à.R.L.
Z.I. de St. Guénault B.P. 67
F - 91002 Evry-Cedex
France
Tel. (33) (1) 60 79 69 00
Fax (33) (1) 60 79 69 21

PACIFIC

Australia

GE Plastics (Australia) Pty. Ltd.
175 Hammond Road
Dandenong, Victoria 3175
Australia
Tel. (61) 39 794 4204
Fax (61) 39 794 8563

Beijing

GE Plastics
Citic Building, 3rd Floor
No. 19 Jian Guo Men Wai Avenue
Beijing 100004
China
Tel. (86) 10 6500 6538
Fax (86) 10 6500 6476

Guangzhou

GE Plastics Guangzhou
Room 1212, Yi An Plaza
No. 38, Jian She 6 Road
Guangzhou, 510060
China
Tel. (86) 20 8387 2818
Fax (86) 20 3128 or 3118

Hong Kong

GE Plastics Hong Kong Ltd.
Rm 1008, Tower 1, The Gateway
25 Canton Road
Kowloon
Hong Kong
Tel. (852) 26 29 0880
Fax (852) 26 29 0801

Indonesia

GE Plastics Indonesia
Menara Batavia 5th Floor,
JI KH Mas Manjur kav.126
Jakarta 10220
Indonesia
Tel. (62) 21 574 4980
Fax (62) 21 574 7101

Japan

SP Pacific Ltd.
Nihonbashi Hamacho Park Bldg. 5th Floor
2-35-4 Nihonbashi Hamacho
Chuo-ku, Tokyo 103
Japan
Tel. (81) 3 569 6301
Fax (81) 3 569 6306

Korea

GE Plastics Korea Co. Ltd.
#231-8 Nonhyun-Dong
Kangnam-Ku
Seoul 135-010
Korea
Tel. (822) 510 6273
Tel. (882) 510 6291
Fax (822) 510 6299

Shanghai

GE Plastics Shanghai
10th Floor, Shartex Center
88 Zunyi Road(s)
Shanghai 200335 China
Tel. (86) 21 6270 6789
Fax (86) 21 6270 9973
Fax (86) 21 6270 9974
Fax (86) 21 6270 9975

Singapore

GE Singapore
GE Tower, 240 Panjang Pagar Road
#500 Singapore 088540
Tel. (65) 326 3900
Fax (65) 326 3946

Taiwan

GE Plastics
13th Floor, #168
Tun Hua North Road
Taipei
Taiwan
Tel. (886) 2 514 9842
Fax (886) 2 514 9921

Thailand

GE Plastics Thailand
15th Floor, Thaniya Plaza Buiding
52 Silom Road, Bangkok 10500
Thailand
Tel. (662) 231 2918
Fax (662) 231 2322

All information, recommendation or advice contained in this document or given by General Electric Company, USA, or any of its subsidiaries, affiliates or authorised representatives, whether written or oral, is given in good faith, to the best of its knowledge and based on current procedures in effect. The products of General Electric Company or, if applicable, of its subsidiaries or affiliates are sold subject to Conditions of Sale, printed on the back of order acknowledgements, invoice or available upon request. Nothing in this or any other document shall alter, vary, supersede or operate to waive any of the Conditions of Sale. Each user of the products shall convince himself, through all available sources (including finished product testing in its appropriate environment) of the suitability of the products supplied for its own particular purpose. Because actual use of the products by the user is beyond the control of General Electric Company, its subsidiaries and affiliates, such use is within the exclusive responsibility of the user. General Electric Company, its subsidiaries and affiliates cannot be held responsible for any loss incurred through incorrect or faulty use of the products. Information, recommendation and/or advice are neither made to infringe on any patents, nor to grant a license under any patent or intellectual property right of General Electric Company or any of its subsidiaries or affiliated companies, nor to grant the right to file for any patent protection.

Lexan® and Thermoclear® are Registered Trademarks of General Electric Co., USA.

